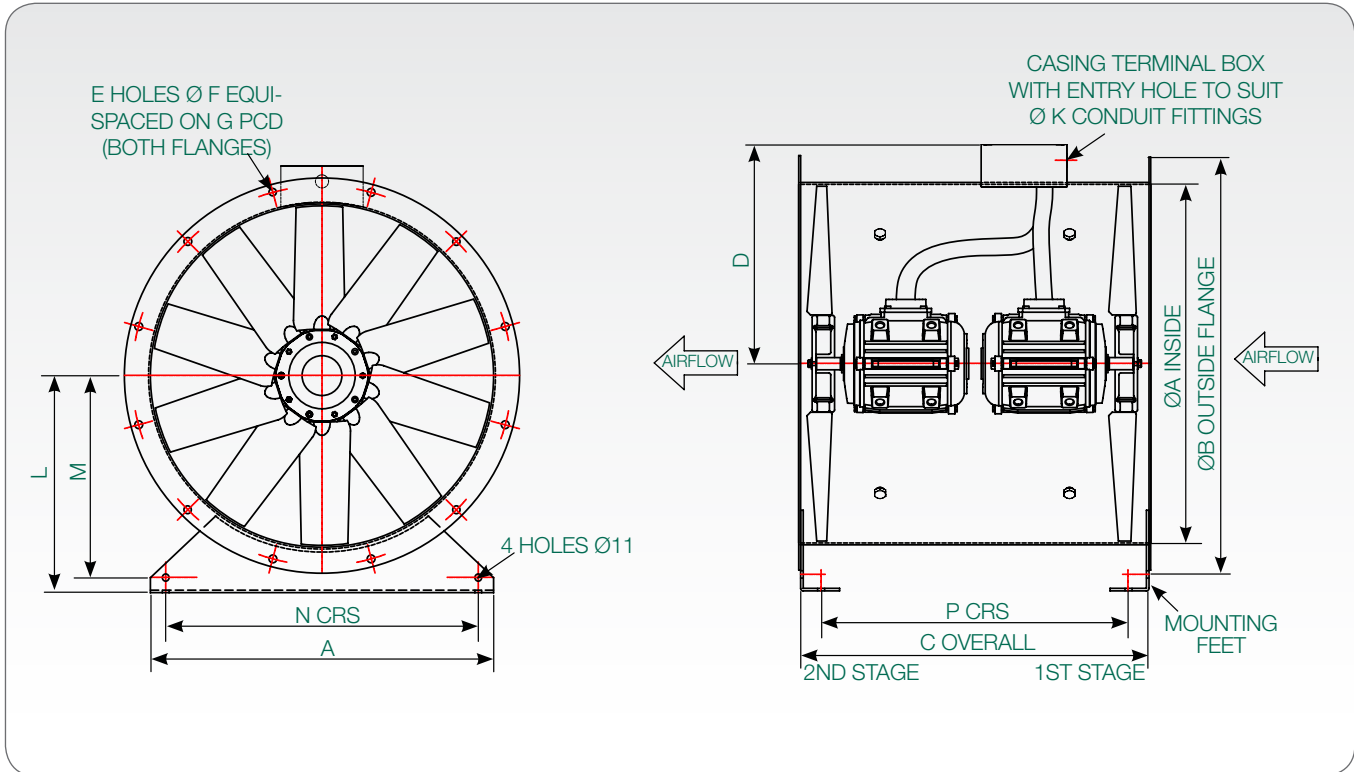




DEMAND CONTROL VENTILATION

# Dimensional Data



Model	A	B	C	D	E	F	G	K	L	M	N	P	Weight kg
SPP450/4-3	450	530	500	285	8	12	500	20	280	255	400	439	42
SPP500/4-3	500	585	550	315	12	12	560	20	315	290	450	489	53
SPP560/4-3	560	645	550	345	12	12	620	20	355	330	510	480	59
SPP630/4-3	630	715	600	380	12	12	690	20	400	375	580	530	83

• All dimensions are in mm  
 \* Weight does not include mounting feet

Elta Fans Limited has a policy of continuous product development and improvement and therefore reserves the right to supply products which may differ from those illustrated and described in this publication. Confirmation of dimensions and data will be supplied on request.