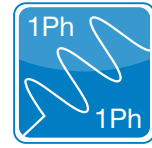


Single Phase Motor Control Features & Benefits



IP20 and IP55 Single Phase Output

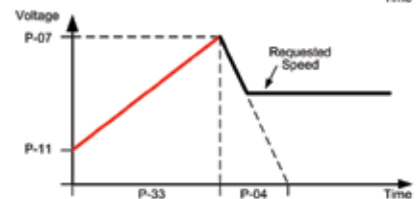
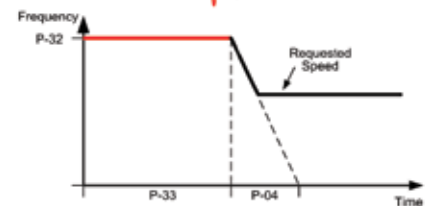
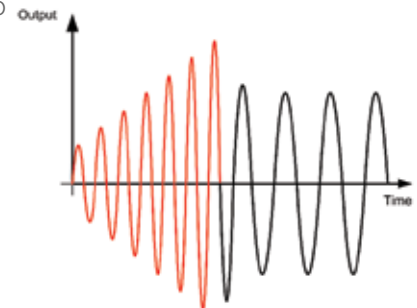
The Eltadrive Single Phase is a fully digital, fully packaged variable speed drive for controlling low power single phase motors.

Designed to be cost effective and easy to use, the Eltadrive Single Phase is for use with **Permanent Split Capacitor motors (Cap run)** or Shaded Pole Single Phase induction motors.

Eltadrive Single Phase has only 14 standard parameters to adjust in its basic form for quick and easy drive commissioning. For the more advanced user the extended parameter set gives access to powerful additional functionality.

Key Features:

- Single phase input / single phase output
- Small mechanical envelope
- Rugged industrial operation
- Simple mechanical & electrical installation
- Fast setup, and simple operation
- Variable torque or constant torque
- Unique programmable boost feature to achieve intelligent starting
- Motor current and r/min indication
- Keypad control
- Integral RFI filter option
- Integral brake chopper (S2 only)
- Modbus RTU serial communications



Special Boot Phase Operation

To ensure reliable starting, the Eltadrive E2 initially ramps the motor voltage up to rated voltage whilst maintaining a fixed starting frequency, before reducing the frequency and voltage to the desired operating point, see diagrams to the right.

IP20

200-240V 1 Phase	Motor Power (kW)	Output Current (A)	Frame Size
149-ODE-2-12037-1KB12-01	0.37	4.3	1
149-ODE-2-12075-1KB12-01	0.75	7	1
149-ODE-2-12110-1KB12-01	1.1	10.5	2

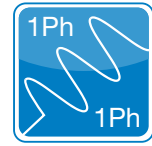
For dimension data please refer to frame size and page 10.

IP55

200-240V 1 Phase	Motor Power (kW)	Output Current (A)	Frame Size
149-ODE-2-12037-1KB1S-01	0.37	4.3	1
149-ODE-2-12075-1KB1S-01	0.75	7	1
149-ODE-2-12110-1KB1S-01	1.1	10.5	2

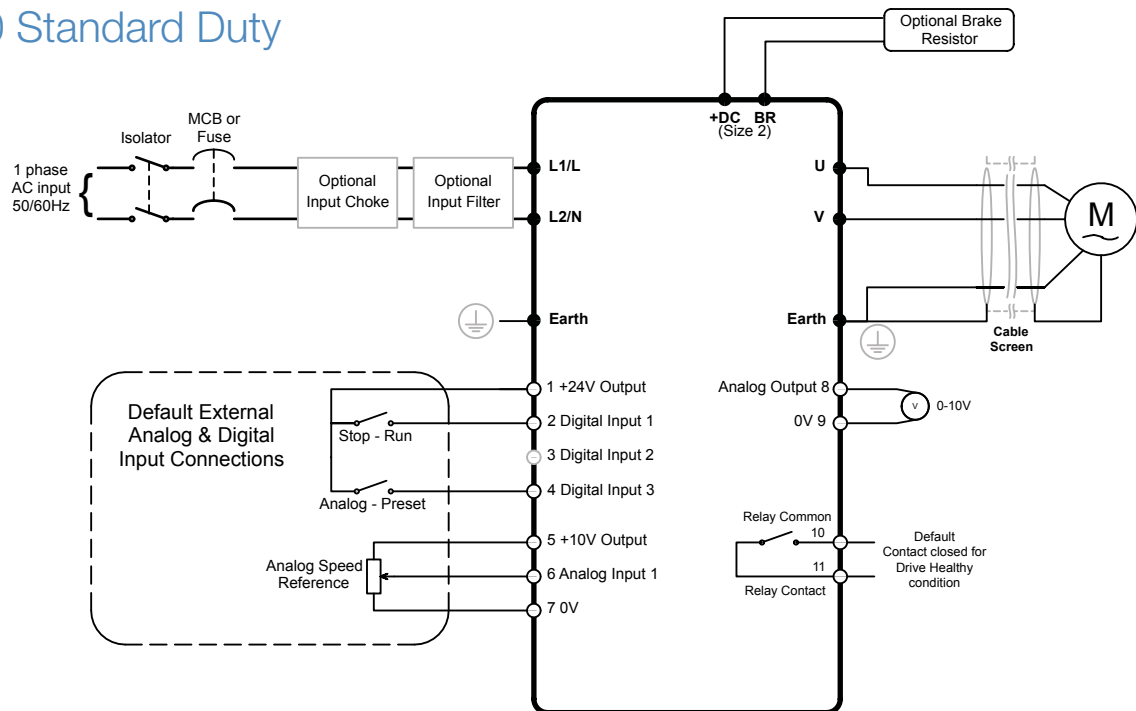
For dimension data please refer to frame size and page 13.

Single Phase output Electrical Data



connection diagram

IP20 Standard Duty



IP55 Wash Down Duty

